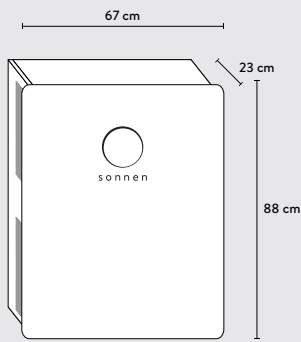
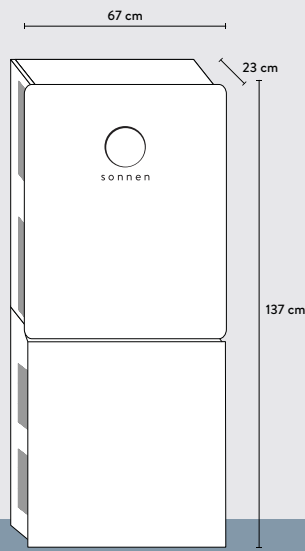


Technical Data sonnenBatterie hybrid 9.53

	hybrid 9.53/2.5	hybrid 9.53/5	hybrid 9.53/7.5	hybrid 9.53/10	hybrid 9.53/12.5	hybrid 9.53/15
Nominal battery capacity in kWh	2.5	5.0	7.5	10.0	12.5	15.0
Depth of discharge (DoD)	90%					
Cell technology	Lithium Iron Phosphate (LFP)					
Cabinet option 1 (2.5 kWh-5.0 kWh)						
Weight in kg	58	81	-	-	-	-
Dimensions (H/W/D) in cm	88/67/23	88/67/23	-	-	-	-
Cabinet option 2 (5.0 kWh - 15.0 kWh) ¹						
Weight in kg	85	108	131	154	177	200
Dimensions (H/W/D) in cm	186/67/23	186/67/23	186/67/23	186/67/23	186/67/23	186/67/23
Max. charging/discharging power in kW	1.1	2.5	3.3	3.3	3.3	3.3
Nominal power	4,600W					
Rated output apparent power	4,600VA					
Rated output current	20A					
Max. recommended PV input	6,500W ⁴					
Max input DC voltage (PV)	750V					
Min input DC voltage (PV)	75V					
Input start-up voltage (PV)	100V					
Number of MPP-Trackers	2					
MPP voltage range	75 - 600V					



Cabinet option 1
Battery capacity:
2.5-5.0 kWh



Cabinet option 2
Battery capacity:
5.0-15.0 kWh



Technical Data sonnenBatterie hybrid 9.53

Max. MPPT input current	13 A					
	hybrid 9.53/2.5	hybrid 9.53/5	hybrid 9.53/7.5	hybrid 9.53/10	hybrid 9.53/12.5	hybrid 9.53/15
Max. MPPT short circuit current	15 A					
Power factor range	0.8 cap. – 0.8 ind.					
DC connection	Sunclix					
Max. efficiency (battery to grid)	95 %					
Max. efficiency (PV to grid)	97.5 %					
Max. battery efficiency	98 %					
Operating temperature range	-5 °C – +45 °C ²					
IP rating	IP30					
Mains connection	Single phase. Three phase metering capable					
Overvoltage category	OVC III (AC port), OVC II (PV port)					
Tests and directives	AS 4777.2, IEC 62040-1, IEC 62619, IEC 62109-1, IEC 62109-2					
Maximum altitude	2,000 m above sea level					
Warranty	10 years or 10,000 cycles ³					
Country of manufacture	Germany					

Available options

sonnenProtect - Backup and Blackstart functionality

We reserve the right to make technical changes and updates without prior notice. Specific values, performance data and other information in this data sheet, brochures and other product information, as well as illustrations and drawings in these documents, are solely illustrative and are subject to ongoing revision and modification. We do not warrant the accuracy or completeness of any information in these documents unless otherwise explicitly stated. Only the information in order confirmation documents or purchase contracts is binding.

¹ There are two cabinet versions available. By default, the large cabinet is included (Dimensions H/W/D 98/67/23). ² Possible derating at temperatures above 35 °C. ³ Warranty on all parts. To learn more about our current warranty terms and conditions, please visit [sonnen.com.au/technical-documents](https://www.sonnen.com.au/technical-documents). ⁴ Note, any oversizing of the PV input is technically possible but increases the risk of thermal derating of the inverter.